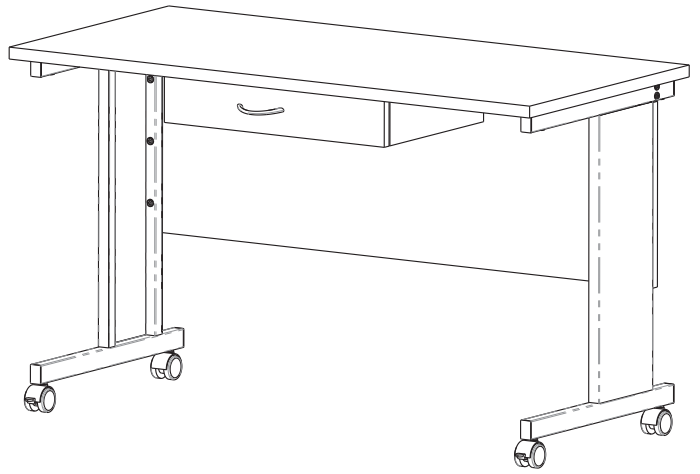
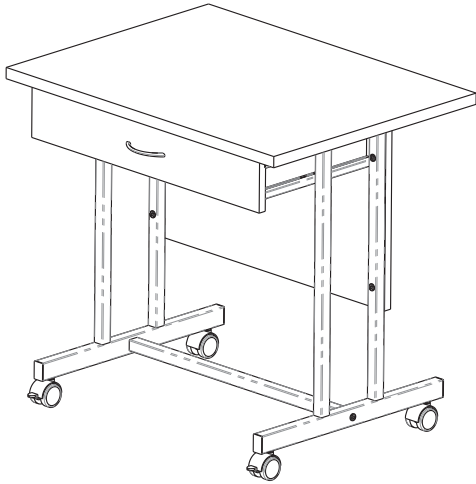
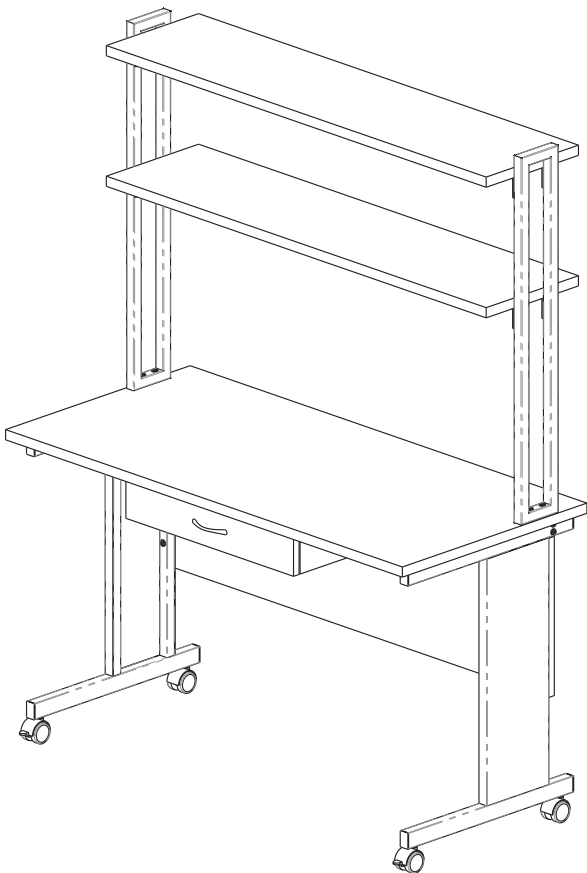


# Laboratory furniture

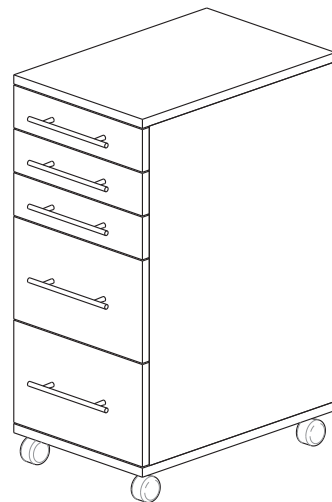
**T-4 / T-4L**  
moving tables with a drawer and wheel locks



**T-4L-P**  
table with shelves



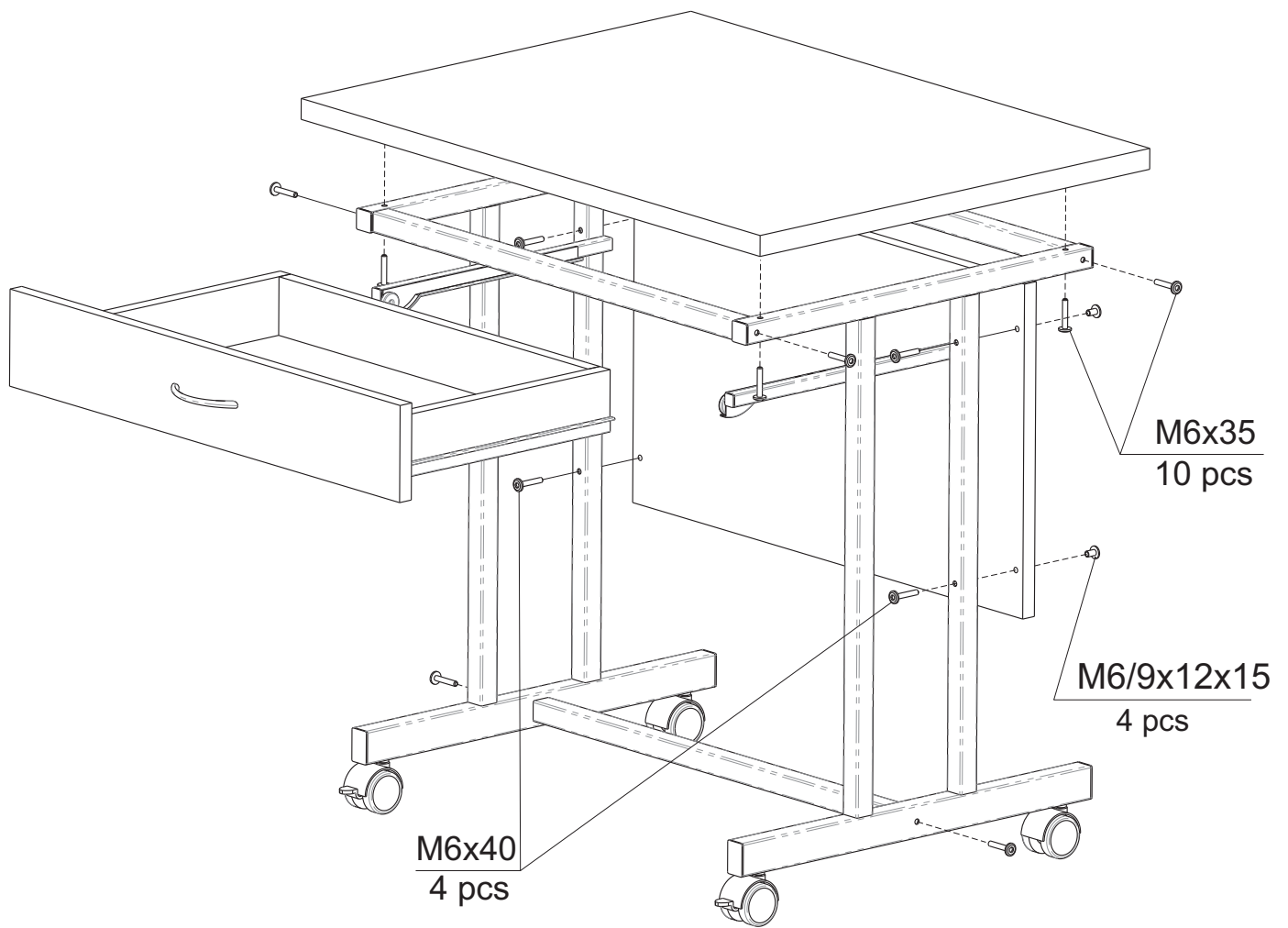
**LF-1**  
laboratory cabinet



Overall dimensions

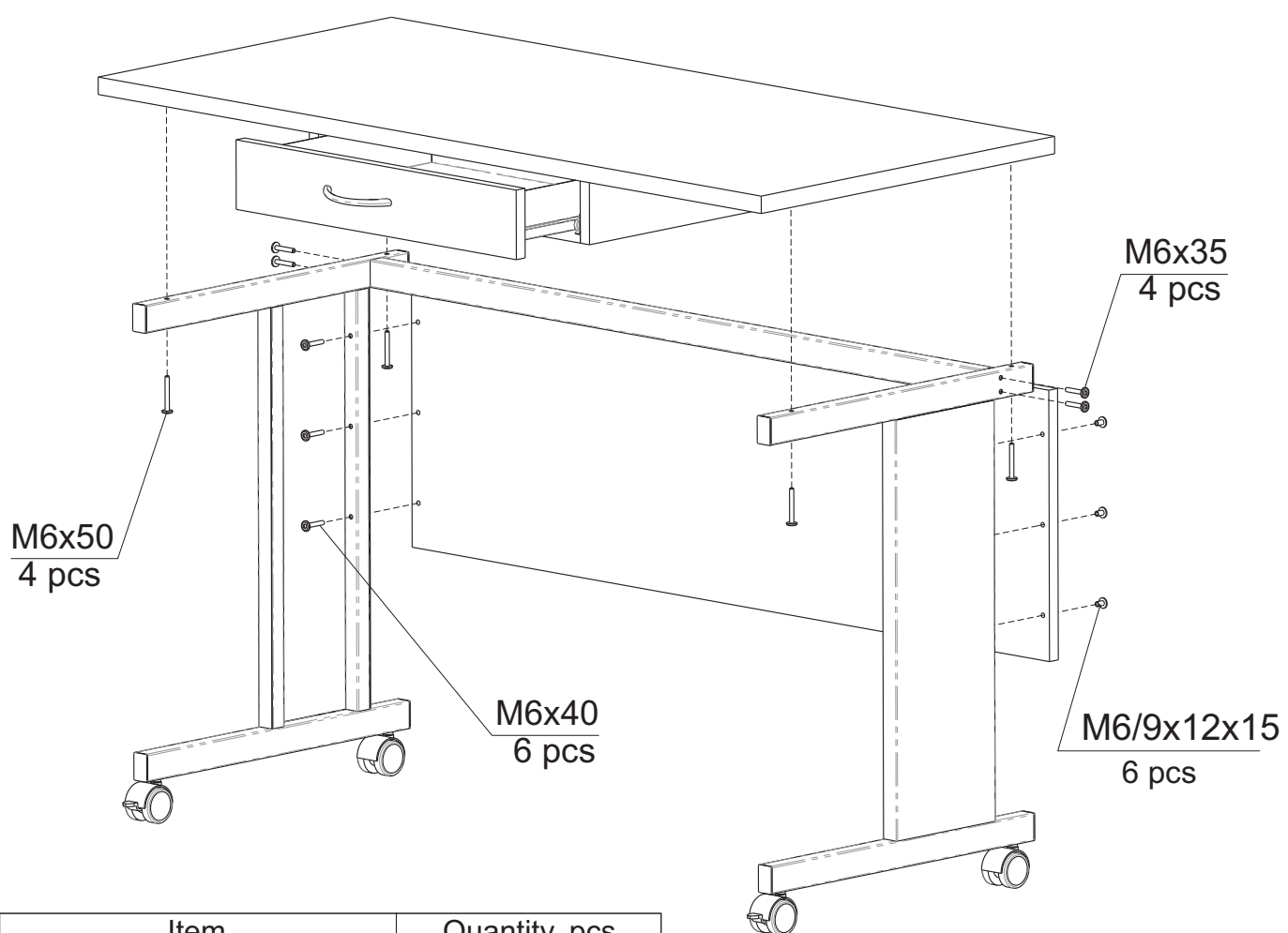
T-4 (l×w×h)	800x600x745 mm
T-4L (l×w×h)	1290x600x770 mm
T-4L-P (l×w×h)	1290x600x1670 mm
LF-1 (l×w×h)	300x450x705 mm

## T-4 assembling scheme



Item	Quantity, pcs
M6x40	4
M6x35	10
M6/9x12x15	4
hex key for assembly	1
table foot	2
joining bar	3
tabletop	1
drawer	1
back wall	1

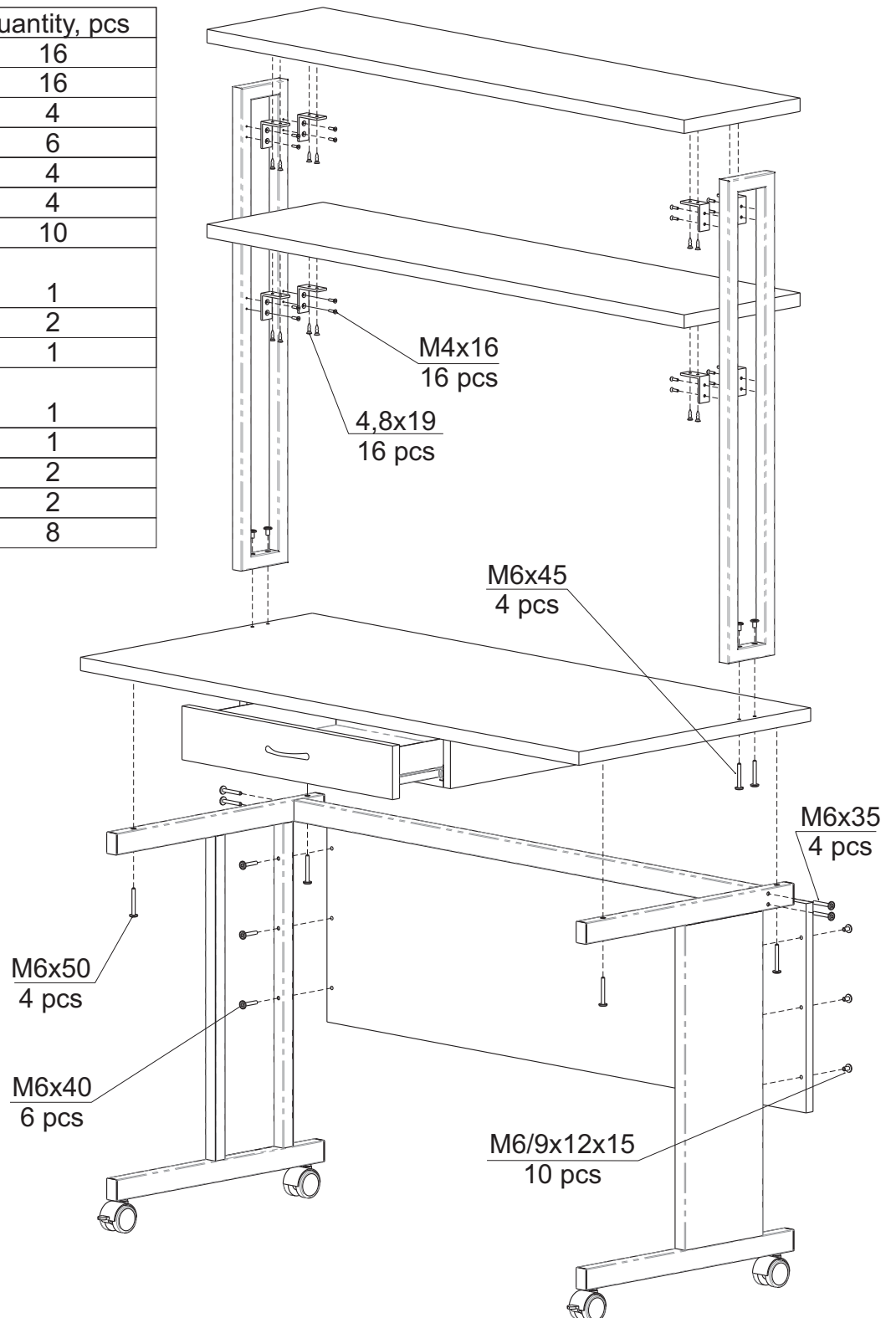
## T-4L assembling scheme



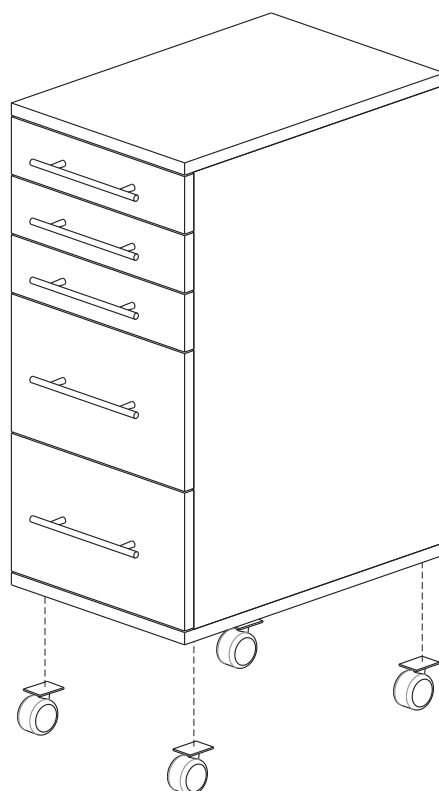
Item	Quantity, pcs
M6x50	4
M6x40	6
M6x35	4
M6/9x12x15	6
hex key for assembly	1
table foot	2
joining bar	1
tabletop with drawer	1
back wall	1

# T-4L-P assembling scheme

Item	Quantity, pcs
M4x16	16
4,8x19	16
M6x45	4
M6x40	6
M6x35	4
M6x50	4
M6/9x12x15	10
hex key for assembly	1
table foot	2
joining bar	1
tabletop with drawer	1
back wall	1
shelf	2
shelf prop	2
shelf bracket	8



## LF-1 assembling scheme



Item	Quantity, pcs
cabinet	1
wheel	4

**Biosan SIA**

Ratsupites 7, build.2, Riga, LV-1067, Latvia  
Phone: +371 67426137 Fax: +371 67428101

<http://www.biosan.lv>

Version 4, November 2013